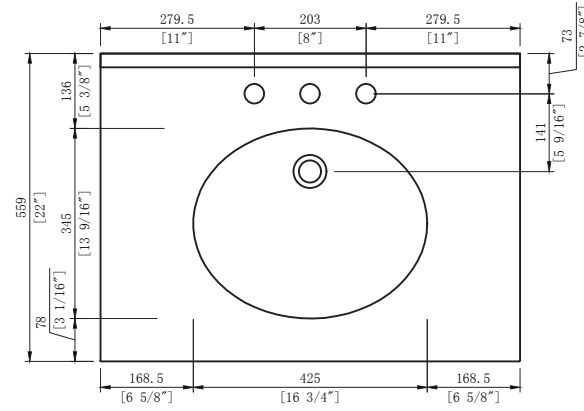
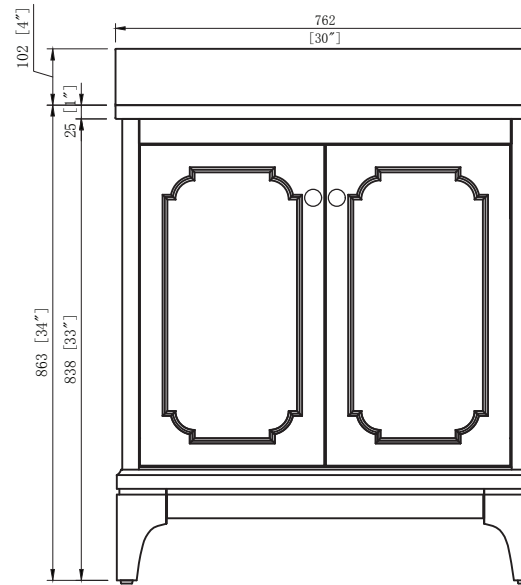
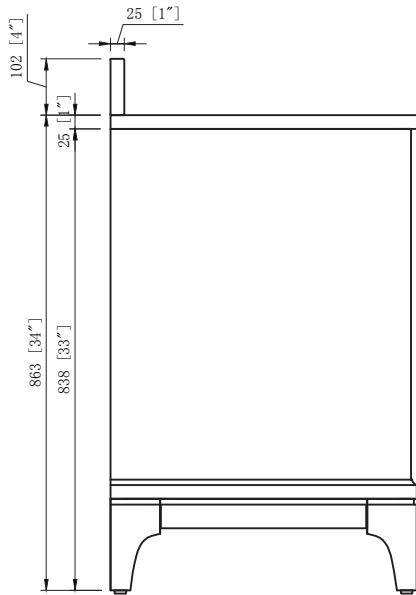


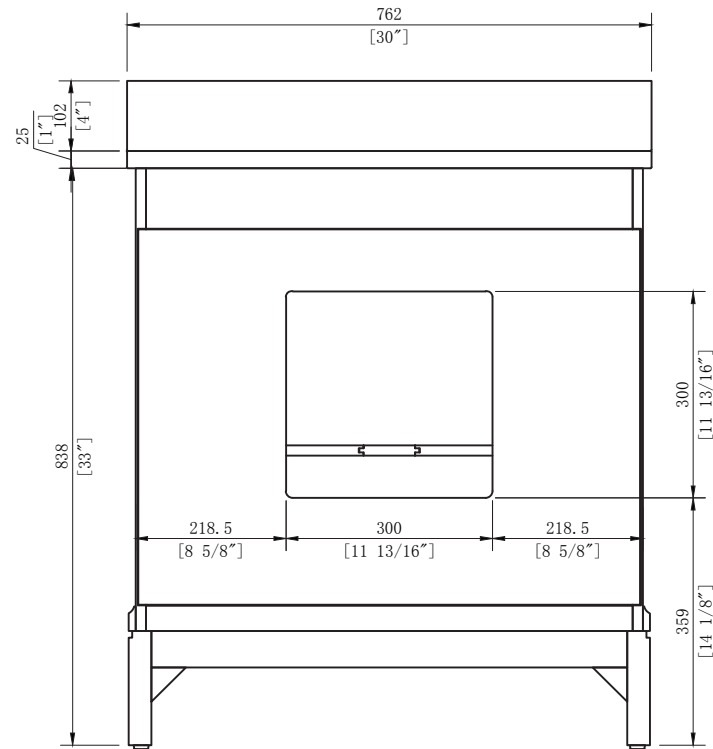


MODEL: CW-QUEEN30





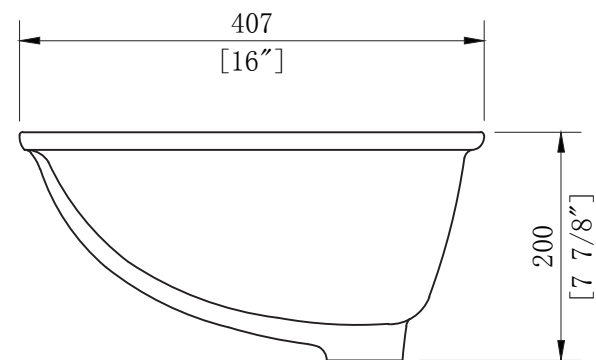
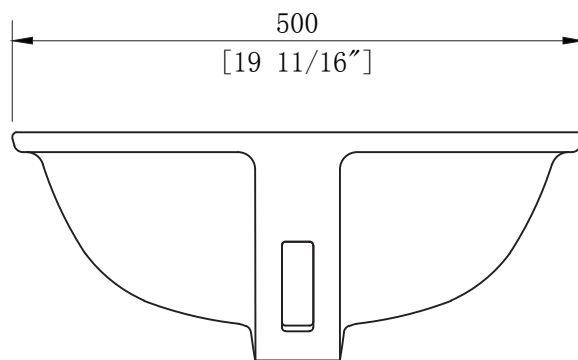
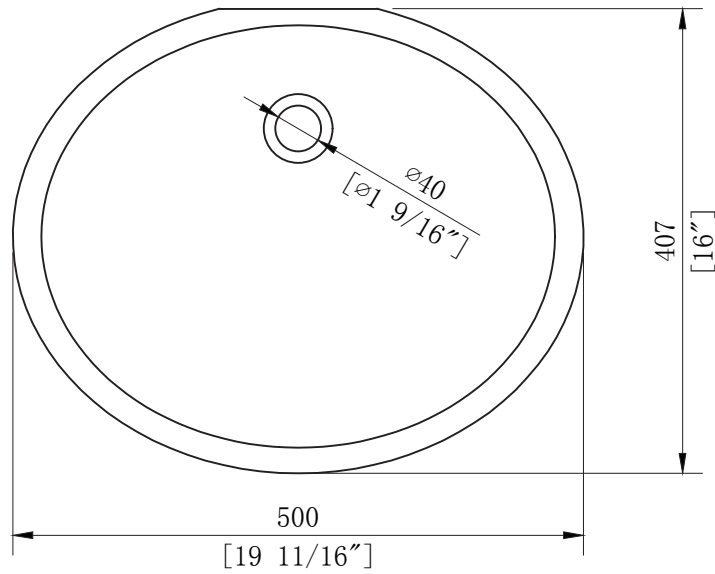
MODEL: CW-QUEEN30





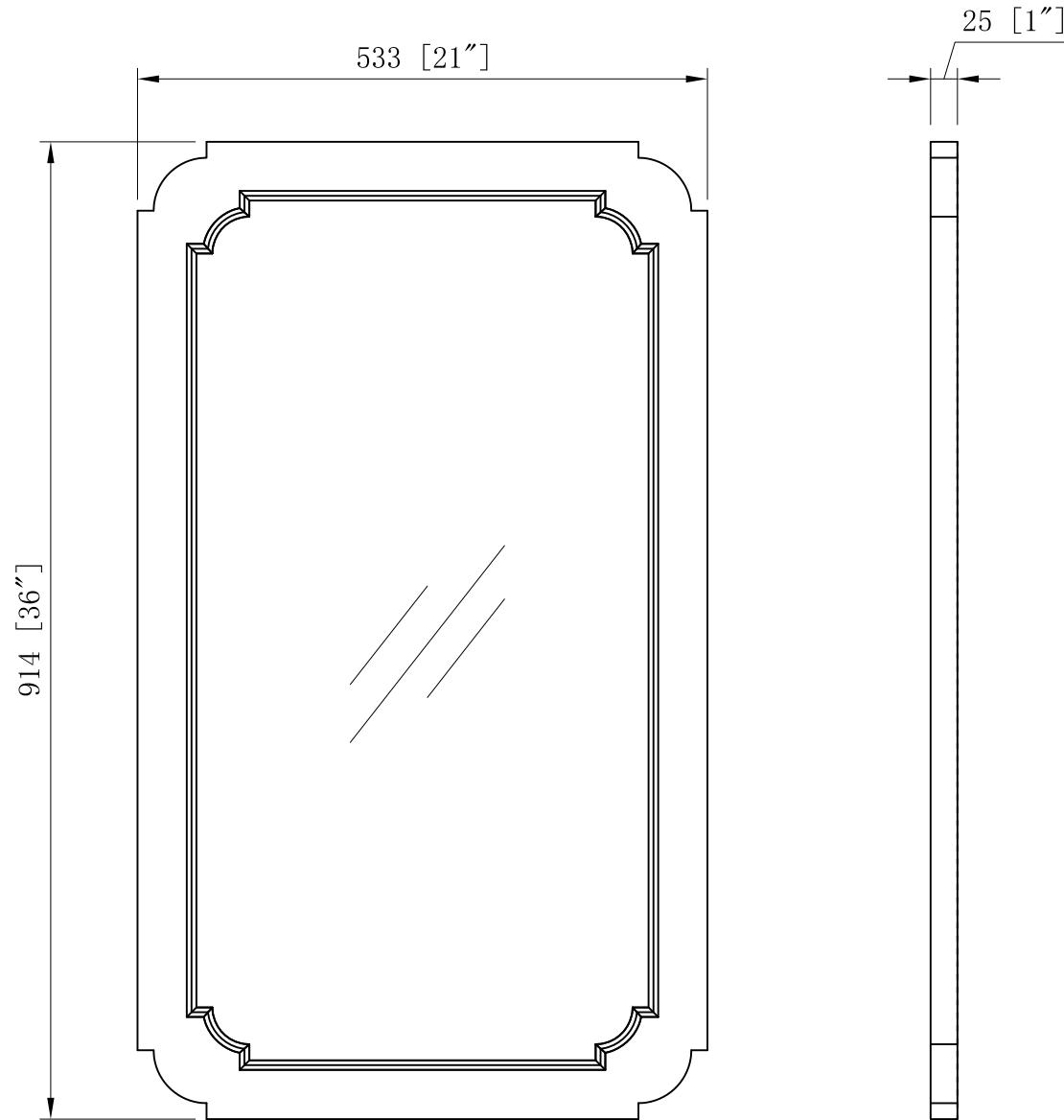


MODEL: CW-QUEEN30



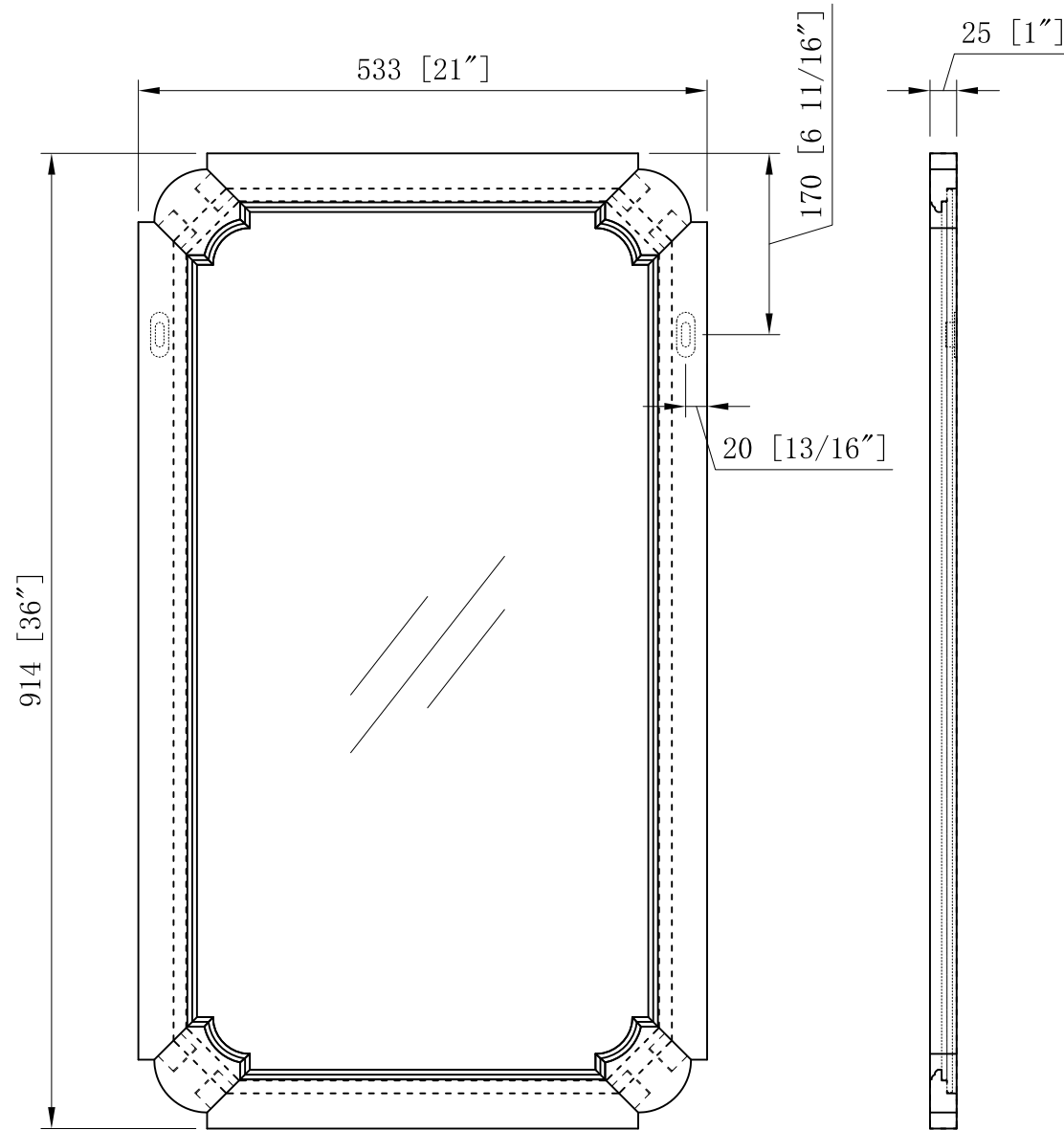


MODEL: QUEEN-M-2136





MODEL: QUEEN-M-2136





MODEL: F2-0012

